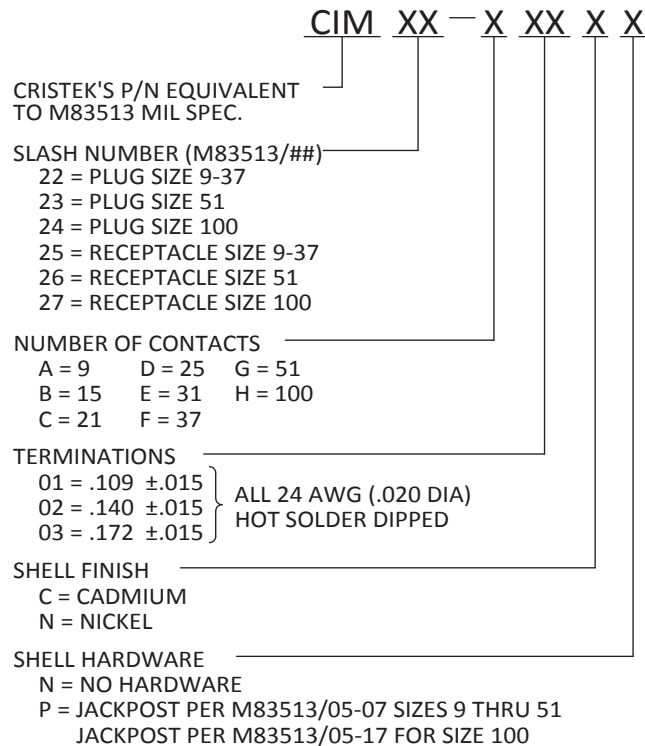


NO. OF CONTACTS	A MAX	B ±.007	C BSC	D MAX	E MAX
9	1.390	1.150	.565	.885	.308
15	1.390	1.150	.715	.945	.308
21	1.690	1.450	.865	1.185	.308
25	1.740	1.500	.965	1.275	.308
31	2.040	1.800	1.115	1.575	.308
37	2.340	2.100	1.265	1.875	.308
51	2.270	2.000	1.215	1.775	.351
100	3.250	2.800	1.800	2.585	.460



MATERIALS AND FINISHES ARE IAW MIL-DTL-83513 FOR DETAILS SEE MIL SPEC OF WWW.CRISTEK.COM

**1. MATERIALS:**

SHELL - ALUMINUM ALLOY  
 INSULATOR & BACKSHELL - GLASS FILLED THERMOPLASTIC  
 CONTACT - COPPER ALLOY  
 INTERFACIAL SEAL (RECEPT) - FLUOROSILICONE BLEND

**2. FINISH:**

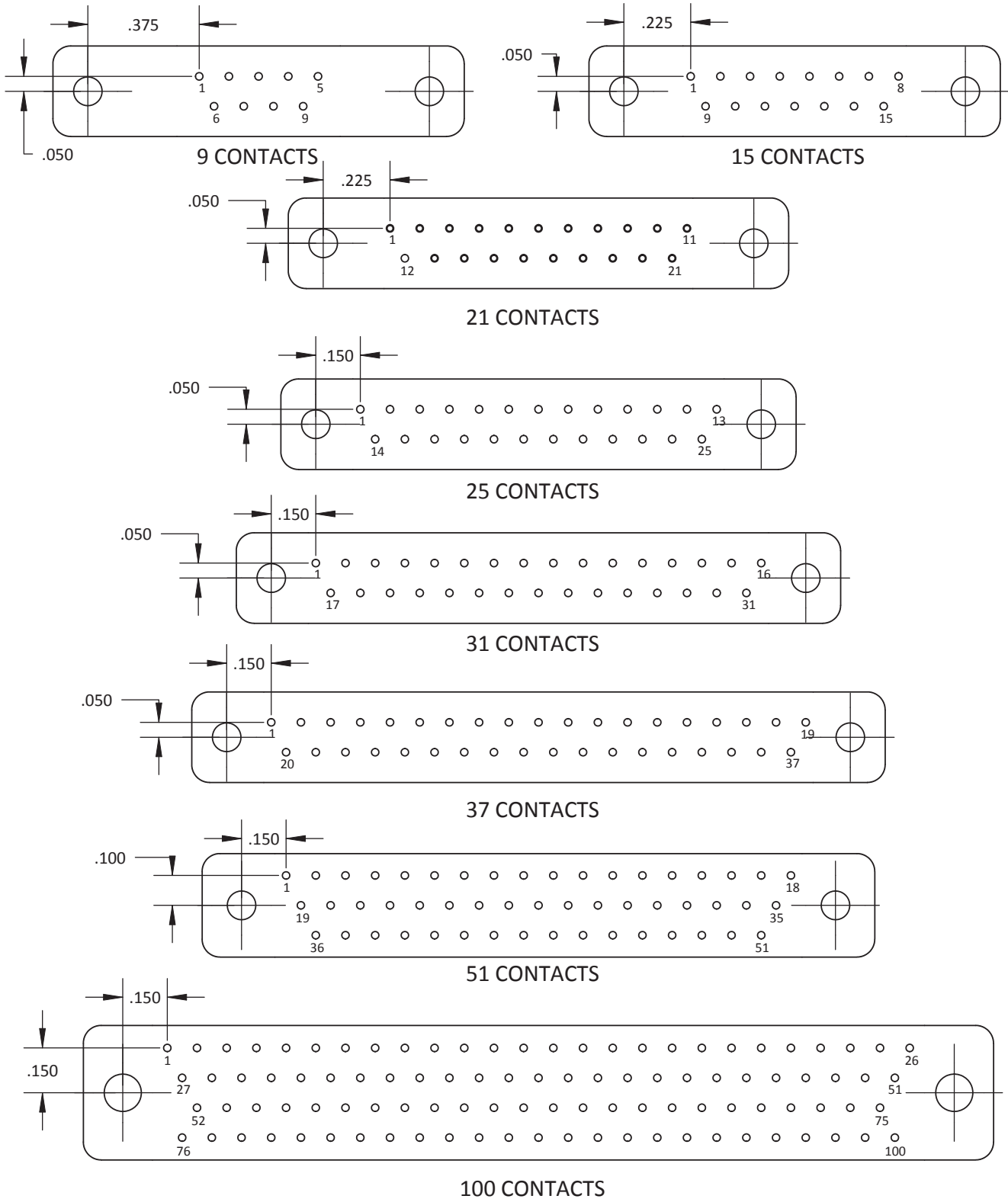
SHELL - ELECTROLESS NICKEL OR CADMIUM OVER  
 ELECTROLESS NICKEL  
 CONTACT - GOLD OVER NICKEL

**3. SPECIFICATIONS:**

CURRENT RATING ----- 3 AMPS MAX  
 TEMPERATURE RATING ----- -55° C TO +125° C  
 INSULATION RESISTANCE ----- 5000 MEGOHMS MIN  
 DWV AT SEA LEVEL ----- 600 VAC  
 DWV AT 70,000 FT ALTITUDE --- 150 VAC  
 CONTACT RESISTANCE ----- 24 AWG = 25 MILLIOHMS MAX  
 CONTACT RETENTION ----- 5 lb MINIMUM AXIAL LOAD  
 ENGAGEMENT FORCE ----- 6 oz MAX  
 SEPARATION FORCE ----- 0.5 oz MIN

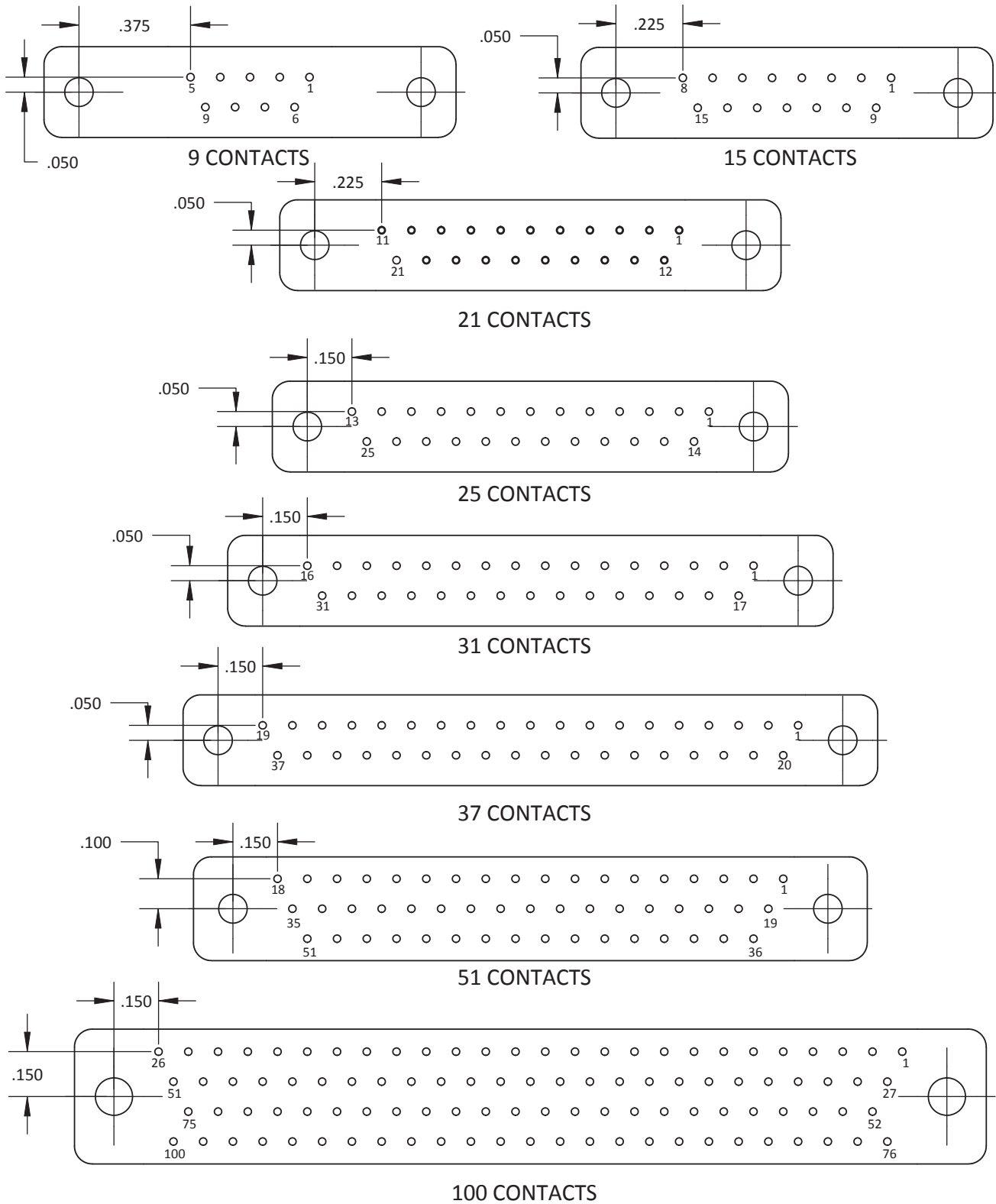
**4. ADDITIONAL INFORMATION:**

FOR CROSS-REFERENCING CRISTEK PART NUMBERS TO M83513, SEE CROSS REFERENCE INFORMATION IN THE FRONT OF THIS SECTION. FOR MOUNTING HARDWARE OPTIONS, SEE THE HARDWARE PAGES AT THE END OF THIS SECTION DESIGN AND PERFORMANCE IN GENERAL ACCORDANCE WITH M83513.



**PLUG PCB LAYOUTS (OR BOTTOM VIEW OF RECEPTACLE)**

.100 X .100 GRID PATTERN OFFSET .050



RECEPTACLE PCB LAYOUTS (OR BOTTOM VIEW OF PLUG)

.100 X .100 GRID PATTERN OFFSET .050